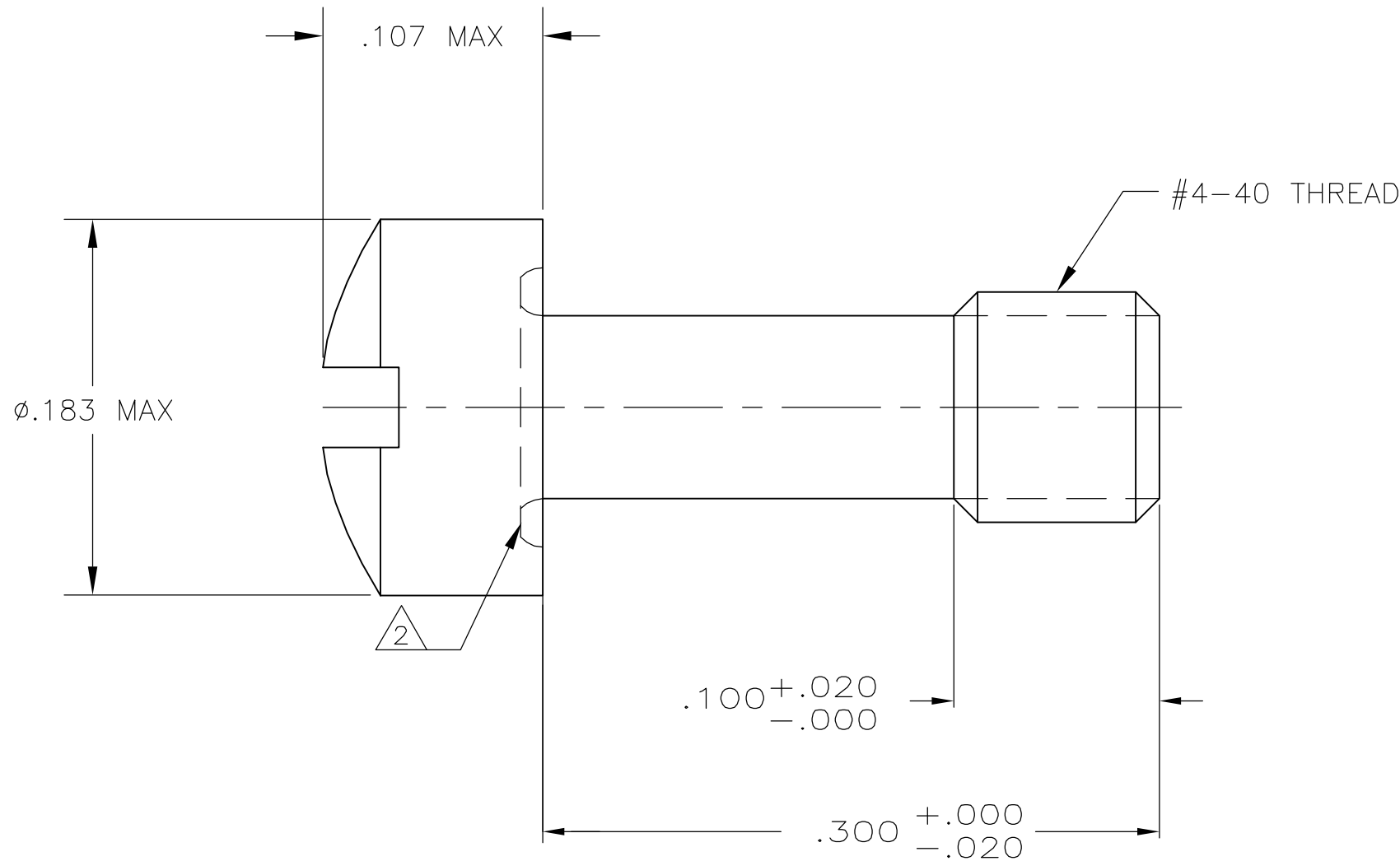


THIS DRAWING IS UNPUBLISHED. RELEASED FOR PUBLICATION 10AUG, 10AUG05
 © COPYRIGHT - BY TYCO ELECTRONICS CORPORATION. ALL RIGHTS RESERVED.

LOC	DIST	REVISIONS					
GP	00	P	LTR	DESCRIPTION	DATE	DWN	APVD
			A	REVISED PER EC 0S13-0349-05	17AUG05	JG	JG

- ① ZINC PLATED .000200-.000400 THICK, CLEAR CHROMATE COATING.
- ② UNDERCUT MAY OR MAY NOT BE PRESENT IN THIS AREA.



5746879-1
PART NO

THIS DRAWING IS A CONTROLLED DOCUMENT.		DWN B. LATTUCA	08AUG05	Tyco Electronics Corporation Harrisburg, Pa 17105-3608	
DIMENSIONS: INCHES		CHK C. ROHDE	08AUG05		
		APVD M. WALMSLEY	08AUG05	NAME SCREW, FILLISTER HEAD	
TOLERANCES UNLESS OTHERWISE SPECIFIED:		PRODUCT SPEC		APPLICATION SPEC	
0 PLC ± - 1 PLC ± - 2 PLC ± - 3 PLC ± - 4 PLC ± - ANGLES ± -		WEIGHT		SIZE	RESTRICTED TO
MATERIAL STEEL		FINISH ①		CAGE CODE A300779	DRAWING NO C-5746879
CUSTOMER DRAWING				SCALE NTS	SHEET 1 OF 1
				REV A	